

"Experience the Sleek and Stylish Exterior Design"

Dive into the captivating exterior design of Tiggo 8 CSH, the SUV SUPER HYBRID that Flexibility combines style and functionality effortlessly. Experience luxury and sophistication on the road!

TIGGO 8 CSH



Premium Exterior



Illuminated Logo Front Grille Full LED Tiger Headlamp LED Rear Lamp LED High Mount Stop Lamp



Hidden Door Handle Roof Rail Two-tone 19 inch Velg

Color Option



Green Aurora Grey Bamboo Ash White Khaki Black Carbon Crystal

7 SEATER SUV

Super Wide Space and Comfortable Premium SUV with Multi-adjustment Seat Cabin



TIGGO 8 CSH

TIGGO 8 CSH [FWD] COMFORT

TIGGO 8 CSH [FWD] PREMIUM

TIGGO 8 CSH [AWD] PREMIUM

Dimension	4725 x 1860 x 1705 mm		
Wheel Base	2710 mm		
Suspension	Independent suspension (Front & Rear)		
Parking & Braking	Disc (Front & Rear) with ESP		
Engine Type	1.5T Dedicated Hybrid Engine (DHE 5.0 Gen)		
Transmission	Dedicated Hybrid Transmission (10DHT)		
Engine Power (kW)	105/143PS (14.5 Compression Ratio) 95 (1:2 Compression Ratio)		
Engine Torque (N.m)	215		
Motor Power Generator (kW)	150/204 PS	150/204 PS	150/204 PS
Motor Power Torque (N.m)	120 Nm	120 Nm	120 Nm
Drive Motor Power 1 (kW/PS)	150/204 PS	150/204 PS	150/204 PS
Drive Motor Torque 1 (N.m)	310 Nm	310 Nm	310 Nm
Drive Motor Power 2 (kW/PS)	-	-	113/154PS
Drive Motor Torque 2 (N.m)	-	-	210Nm
Battery Capacity (kWh)	18.3	18.3	18.3
Endurance of Pure Electricity (km)	90+ km	90+ km	78+ km
Comprehensive Endurance Mileage (km)	1300+ km	1300+ km	1000+ km
Average Fuel Consumption (on by Battery Discharge)	19+ km/L	19+ km/L	17+ km/L
Average Fuel Consumption HEV (100% Battery SOC)	75+ km/L	75+ km/L	48+ km/L
Acceleration Time (s)	8.1	8.1	8.8 s
Seats	7	7	7

Exterior			
Key	Keyless Entry		
Type	19" aluminum alloy rims (235/50 R19)		
Headlight	LED		
Rearlight	LED		
Follow-me Home Lamp	•		
Rear Parking Sensors	•		
Hidden Door Handle	•		
Shark-fin Antenna	•		
Stylish Welcoming Light	•		
Load Capacity Roof Rail	•		
Electric Panoramic Sunroof	•		

Interior			
Color Interior	Black Color		
Speakers	10	12	12
10.25 LCD Cluster	•	•	•
15.6 Capacitive Touch Screen	•	•	•
Leather Steering Wheel with Steering TR and Telescopic	•	•	•
Sun Visor with Vanity Mirrors	•	•	•
All Automatic Power Window	•	•	•
Two Zone A/C	•	•	•
Negative ION Air Purification and Second Row Air Vent A/C	•	•	•
Intelligent Voice Assistant	•	•	•
50W Fast Wireless Charging	•	•	•
Driver Power Seat + Power Lumbar support	•	•	•
Front Passenger 4-way Electric Seat	•	•	•
Seat Ventilation	•	•	•
Seat Memory	•	•	•
Front Passenger Seat Massage + Power Leg Rest	•	•	•
Armrest with Storage	•	•	•
Multi-color Ambient Light	•	•	•
Front Silent Glass	•	•	•
Mobile Connectivity with Android Auto/Apple CarPlay	•	•	•
AR HUD Augmented Reality HUD	•	•	•
S40 HD Camera	•	•	•
PM2.5/N95 Air Filter	•	•	•

Safety			
Airbags	8	10	10
ISOFIX	•	•	•
Vehicle Body Anti-theft	•	•	•

Driving Assistant			
Electronic Parking Brake (EPB) + Autohold	•	•	•
Anti-lock Braking System (ABS)	•	•	•
Electronic Brake Force Distribution (EBD)	•	•	•
Brake Assist System (BAS) + Brake Override System (BOS)	•	•	•
Electronic Stability Program (ESP)	•	•	•
Traction Control (TCS)	•	•	•
Emergency Brake Assist (EBA)	•	•	•
Hill-start Assist Control (HAC) + Hill Down Control (HDC)	•	•	•
Tire Pressure Monitoring System (TPMS)	•	•	•
Auto Central Locking Door	•	•	•
Cruise Control	•	•	•

Advanced Driving Assistant			
Lane Departure Warning (LDW)	•	•	•
Lane Keeping Assist (LKA)	•	•	•
Lane Departure Prevention (LDP)	•	•	•
Traffic Jam Assist (TJA)	•	•	•
Integrated Cruise Assist (ICA)	•	•	•
Intelligent High Beam Control Headlamp (IHC)	•	•	•
Adaptive Cruise Control (ACC)	•	•	•
Front Collision Warning (FCW)	•	•	•
Autonomous emergency braking (AEB)	•	•	•
Automatic Emergency Braking System (AEB)	•	•	•
Emergency Lane Keeping (ELK)	•	•	•
Blind Spot Detection (BSD)	•	•	•
Rear Cross Traffic Alert (RCTA)	•	•	•
Door Opening Warning (DOW)	•	•	•

PT CHERY SALES INDONESIA
www.chery.co.id

CHERY CUSTOMER CARE
0800-1-79 79 79

The contents of this flyer are compiled according to the information of vehicle configuration status at the time of printing. We reserve the right to change any information in the catalogue without prior notice. Due to product configuration changes, the final product configuration shall be subject to the sales output.

CHERY

TIGGO 8 CSH

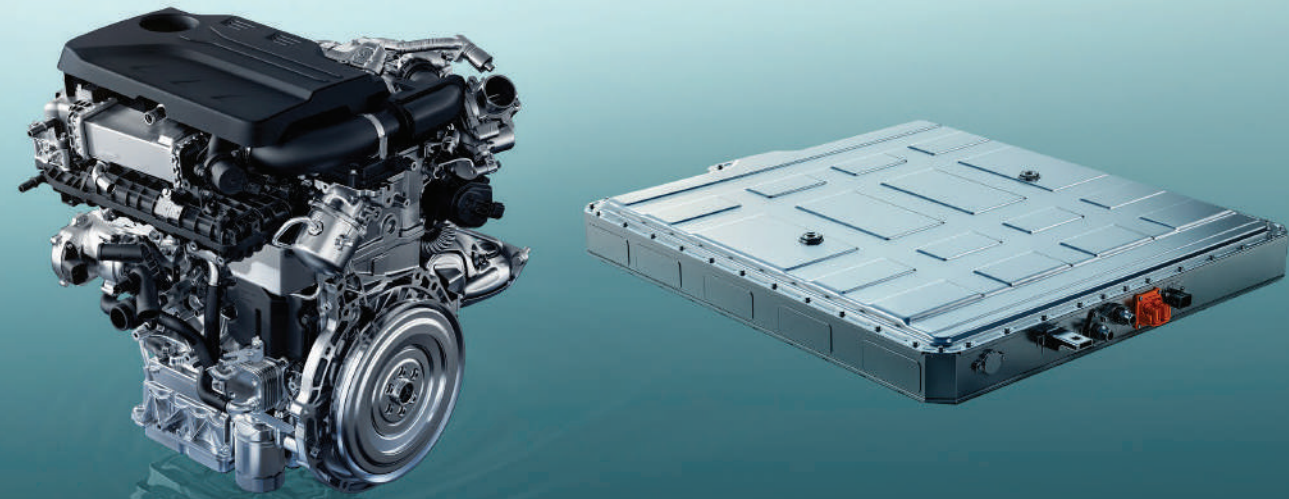
THE BEST HYBRID
BETTER THAN EV



WARRANTY	WARRANTY	WARRANTY	FREE	BONUS
VEHICLE WARRANTY 6 YEARS /150,000 KM*	ENGINE WARRANTY 10 YEARS /1,000,000 KM*	POWER BATTERY 8 YEARS /160,000 KM*	MAINTENANCE & PARTS 4 YEARS /60,000 KM*	ROADSIDE ASSISTANCE 3 YEARS

Terms and Conditions Apply. Applying for all Tiggo 8 CSH model. () Valid for Tiggo 8 CSH premium VIN 2026. © copyright 2026

Best Efficient & Performance



CSH = SUPER HEV + EV

HIGH ENERGY EFFICIENCY

The best hybrid technology of this era

HIGH PERFORMANCE

Continuous energy saving in all scenarios

HIGH SAFETY

Safety and reliability at high speed without stalling

HIGH INTELLIGENCE

Intelligent battery management system



Best Comfort

SPACIOUS CABIN

Super Wide Space and Comfortable Premium SUV

Electric Panoramic Sunroof

12 Audio Speakers (with Head-rest Speakers)

Intelligent Voice Command

50W Fast Wireless Charger



Best Technology

ADVANCED TECH

Luxurious Modern Interior with Advanced Technology

15.6-inch 2.5K HD Central Console Screen + 8155 Snapdragon Chip

12 Loudspeakers (Include Headrest Speakers)

Wireless Charging Smartphone

AR HUD Augmented Reality

540° HD Panoramic Camera

Intelligent Voice Assistant

ENDLESS HORIZONS

WORRY-FREE VOYAGE



CHERY SUPER HYBRID

Comprehensive Mileage (km)
1300+km

*Full Tank and Full Battery

1 TRIP WITHOUT REPLENISHMENT
JAKARTA TO BALI
1,186 KILOMETER

THE LATEST HYBRID TECHNOLOGY

98.5% EV efficiency
45.5% Thermal Efficiency
90 km Endurance of Pure Electricity
2 ms Power Loss Protection



Two-Zone A/C

PM2.5/N95 Air Filter

Ventilated Seat

Second Row Air Conditioner



Nap Mode

Quiet Cabin with Premium Material

Wide Space Trunk with Flat Surface

QUEEN SEAT



- MASSAGE SEAT
- VENTILATED AIR FLOW
- LEG REST
- ELECTRIC ADJUSTER SEAT
- SUPER QUIET CABIN
- PREMIUM MATERIAL



Best Safety

ACTIVE AND PASSIVE PROTECTION

14 ADAS

Advanced Driving Assistant System



10 AIRBAGS



ULTRA STRENGTH STEEL 74%



CHASSIS AND BATTERY SHIELD IP 68



SUPER HEV + EV OUTDOOR LIVING BASE STATION

